

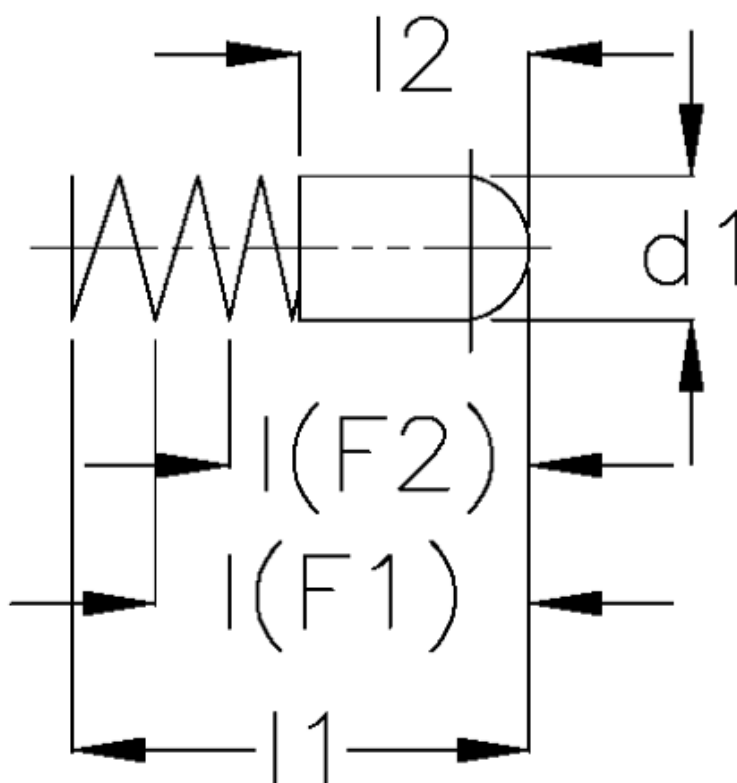
# Data Sheet



Article number: 20028401

Description: E+G  
Spring plunger GN 610-3,4-15-H

## Measures



d1	= 3.4
l(F1)	= 12.0
l(F2)	= 8.2
l1	= 15
l2	= 7.3
Spring pressure (F1) N	= 5.9
Spring pressure (F2) N	= 13.3